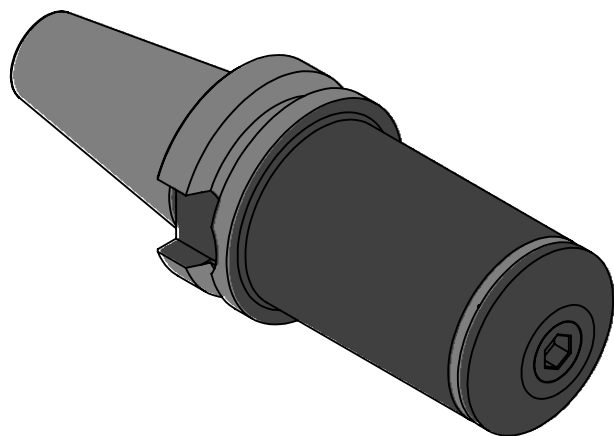
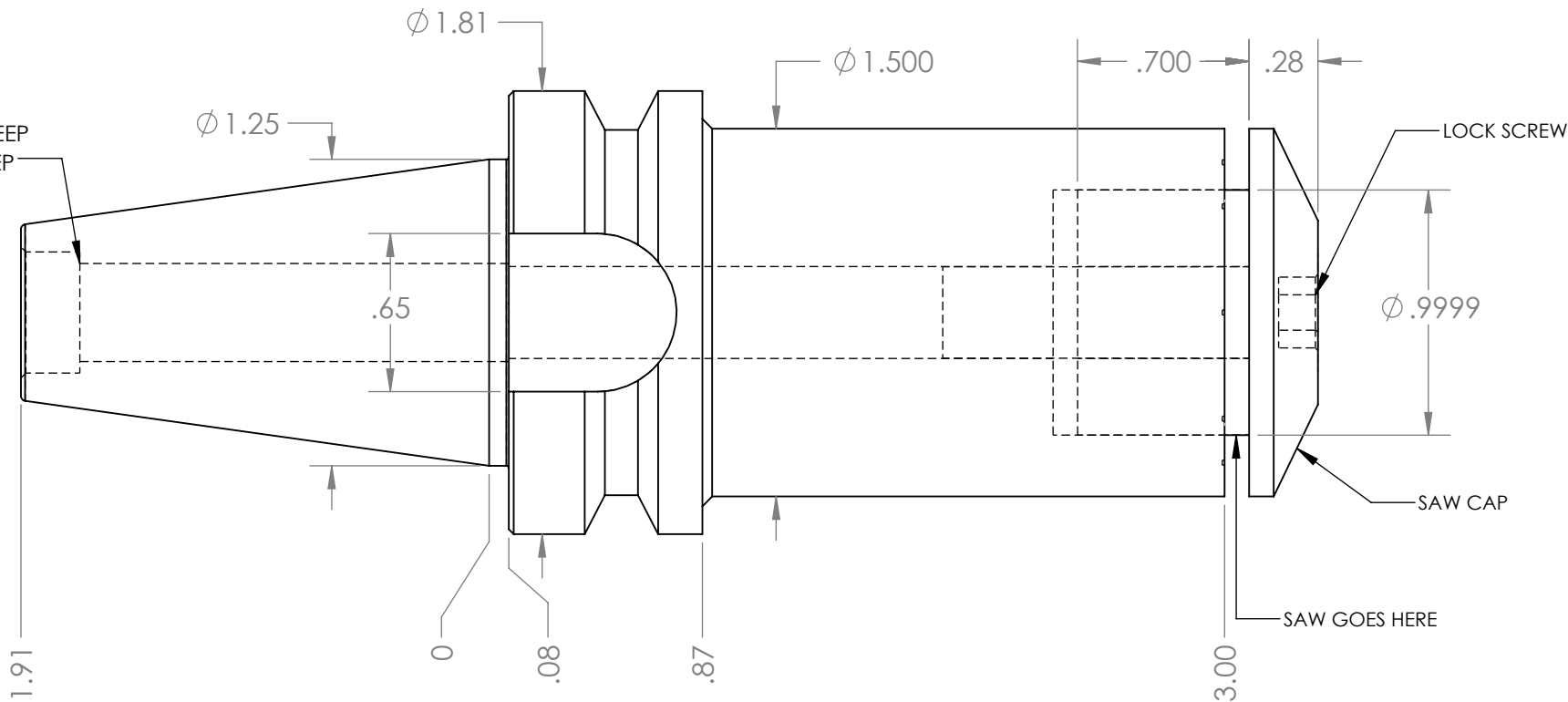


M12x1.75 THREAD x 1.00 DEEP
C'BORE DIA .492 x .236 DEEP



NOTES:

LOCK SCREW 3/8-24 x 1-1/4 SHCS (INCLUDED)
SAW CAP PART #SSA1.0-CAP (INCLUDED) IS .281 THICK AND
.9999 DIAMETER IS .700 LONG
FOR MORE PRODUCT DETAILS PLEASE GO TO MARITool.COM
AND SEARCH ITEM # LISTED ON THIS PRINT

MARITool

WWW.MARITool.COM

ITEM# **BT30 SSA1.0-3.0**

Made in USA